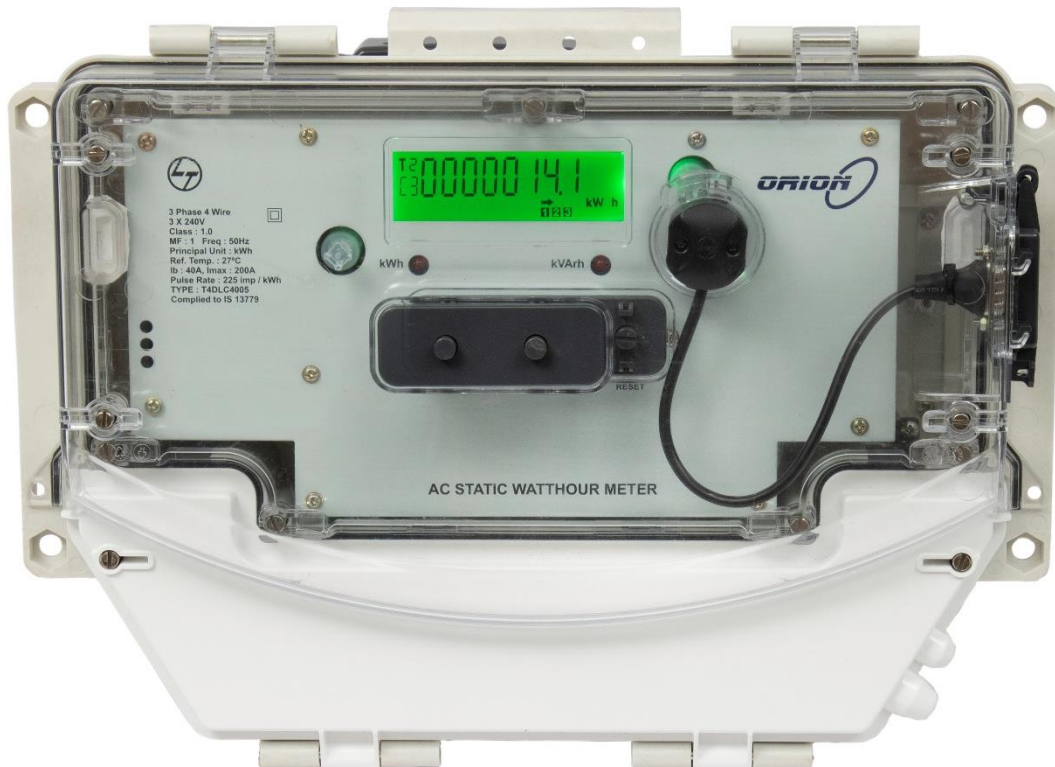
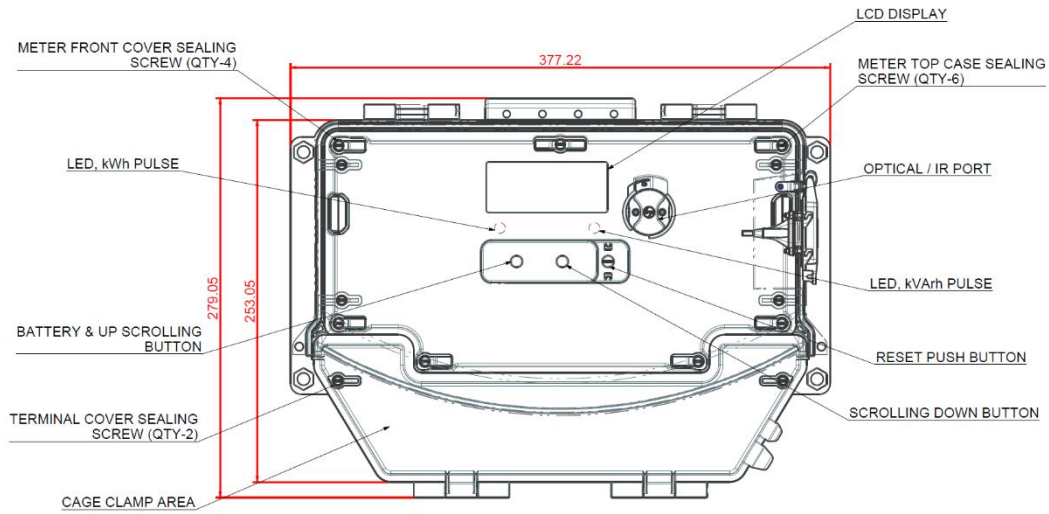


Three Phase Thread Through Long Range Trivector Meter ORION

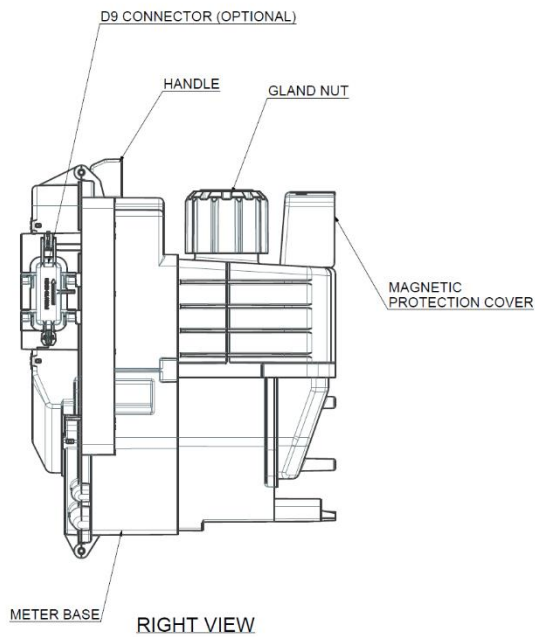


- Class 1.0 accuracy as per relevant IS and IEC Standards
- 40-200A current rating
- Bidirectional Energy recording
- Load Survey (Interval Data)
- Anti-tamper features
- Self-diagnostic capability
- Optical port / RS 232 / Inbuilt GPRS Modem (optional)

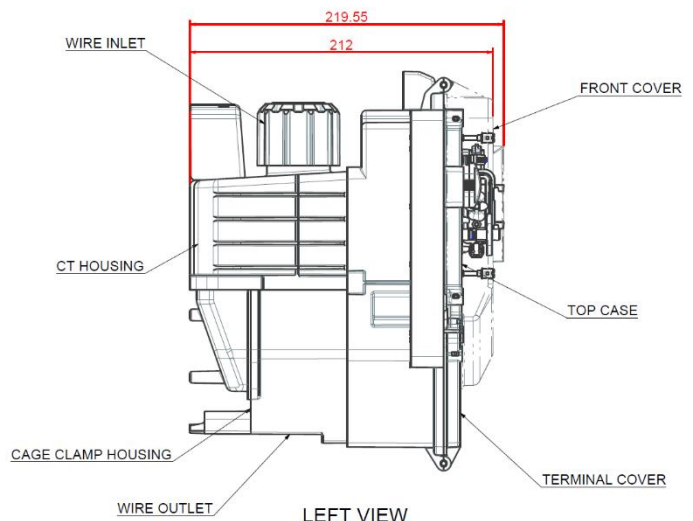
Specifications		Display	
Connection	3 Phase 4 Wire	LCD	8 digit backlit display
Standards Applicable	IS 13779 CBIP 325	Display mode	Auto scroll, push button and high resolution modes
Accuracy Class	Cl 1.0	LED	Pulse LEDs for kWh and kVAh
Rated Voltage	3 x 240V (P-N)	Other Features	
Voltage Variation	-40% to +20%		Day wise energies
Current Rating	40-200 A		Load survey profile
Starting Current	0.2% of basic current		Tariff wise energies
Accuracy up to	120% of maximum current		Display and data reading in absence of power
Frequency	50Hz		Tamper detection
Frequency Variation	-5% to +5%		Bi-directional energy recording available
Power Consumption	As per IS 13779	Data security	Multi-level password for data reading and programming
Operating Temperature	-10°C to +55°C	Communication	Electrically isolated optical port as per IEC62056-21
Ingress Protection	IP 55	Optional communication Interface	RS 232 / Inbuilt GPRS Modem
Supported parameters (As per customer requirement)		Protocol supported	DLMS as per IS15959
Instantaneous	Phase wise Voltages and Currents, System PF, Active, reactive and apparent power Frequency Phase sequence	Modem features	Push and pull feature Store and forward feature Last gasp
Energy Measurement	4 quadrant measurement of kWh, kVAh, and kVAh		
Maximum Demand	kW and kVA along with date and time		
Time of Day	Up to 8 registers, profiles and seasons		



FRONT VIEW



RIGHT VIEW



LEFT VIEW