

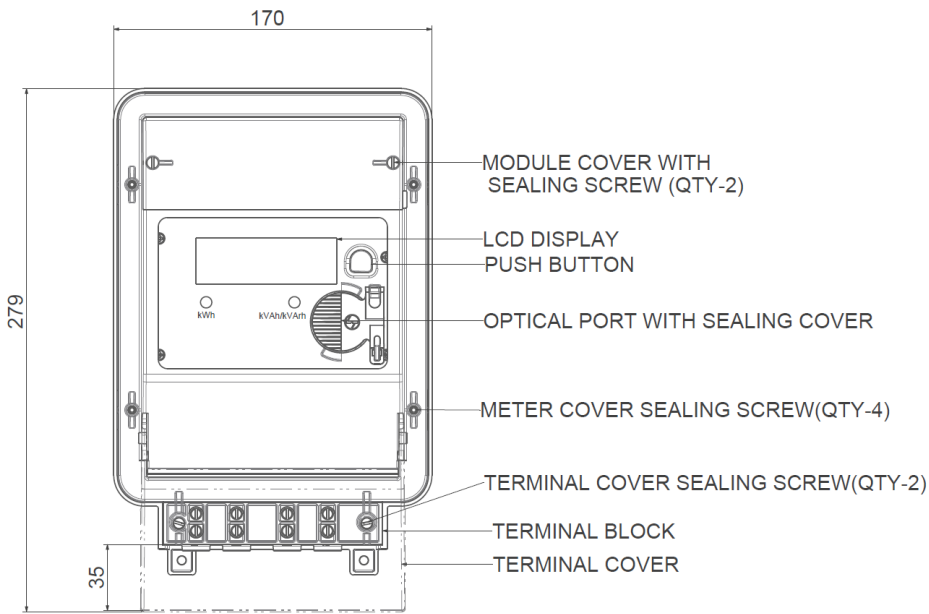


Single Phase Smart Meter AURORA

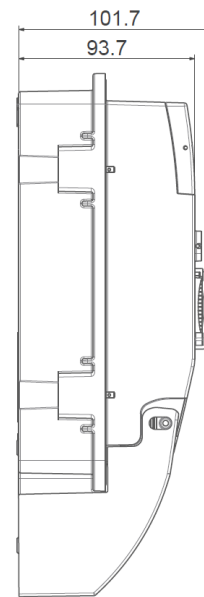


- Complying to IS 16444 Part 1
- Full smart functionality
- Communication options including optical, RF and cellular
- Load connection/disconnection via relays in phase and neutral
- Tamper alerts available
- Data logging for instantaneous parameters, billing parameters and energy backups
- Event logging with active energy, voltage and current snaps available
- Power fail/restoration alerts (last gasp/first breath)

Specifications		Smart Features	
Connection	1 Phase 2 Wire	Alerts	Alert for power on/off, over voltage and over current
Standards Applicable	IS 16444 Part 1	Load control	Disconnection provided for: - Over-current and overload conditions - Selected tampers - Disconnection signal from utility
Accuracy Class	CI 1.0	Relay/load switch	Provided in both phase and neutral complying to IS15884 with UC1 Status available on display and data downloading Connection/ disconnection logged as events
Rated Voltage	240V (P-N)	Data security	Multi-level password for data reading and programming
Voltage Variation	-40% to +20%	Prepayment	Prepaid function as per IS15959 Part 2 (optional)
Current Rating	10-60 A	Communication	
Starting Current	0.2% of basic current	Technology options	- Optical port for local communication as per IS 15959 Part 2 - RF/cellular communication module with inbuilt/plug-in options
Accuracy up to	120% of maximum current	RF	- NAN communication over 865-867 MHz - Mesh based Low Power Radio (<1W transmitted power) - IPv6 communication - Gateway-based topology
Frequency	50Hz	Cellular	- WAN communication - NB-IoT/4G with fallback to 2G modem
Frequency Variation	-5% to +5%		
Power Consumption	As per IS 16444 Part 1		
Operating Temperature	-10°C to +55°C		
Ingress Protection	IP 51		
Supported parameters (As per customer requirement)			
Instantaneous	- Voltage - Phase and neutral current - Power factor - Active power, reactive power and apparent power - Frequency		
Energy Measurement	4 quadrant measurement of kWh, kVAh, and kVAh		
Maximum Demand	kW and kVA along with date and time		
Time of Day	Up to 4 registers, profiles and seasons		
Display			
LCD	8 digit backlit display		
LCD Indicators	Indication for relay status and tampers		
Display mode	Auto scroll, push button and high resolution modes		
LED	Pulse LEDs for kWh		



FRONT VIEW



SIDE VIEW